

CXL 70-3C/...

Colinear, Heavy-Duty 3 dBd Base Station and Marine Antenna for the 450 MHz Band



DESCRIPTION:

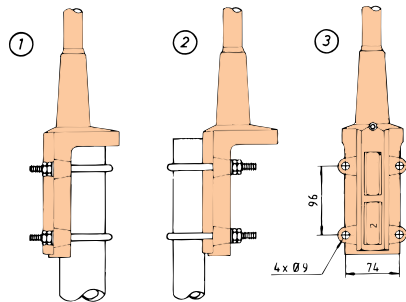
- ★ CXL 70-3C/... is a 3 dBd, vertically polarised, omnidirectional base station and marine antenna, which covers the 380–470 MHz band in 4 models with up to 10 MHz overlap.
- ★ The antenna is provided with our heavy-duty type “C” universal fixation bracket made of epoxy-coated, seawater resistant aluminium. The accompanying U-bolts and fittings are made of stainless steel.
- ★ CXL 70-3C/... can be mounted on 27 to 65 mm dia. mast tubes, and it is possible to lead the cable either along the inside or on the outside of the mast tube.
- ★ The carefully designed radiating element is sealed in a high-quality, conical glassfiber tube with low wind-load, which will ensure undisturbed performance by corrosive environments.
- ★ To substantially reduce noise caused by atmospheric discharges, all metal parts in the antenna are DC-grounded. Consequently, the antenna shows a DC-short across the coaxial cable.
- ★ The exceptional mechanical capabilities of this antenna ensures long dependable service in all environments.

SPECIFICATIONS:

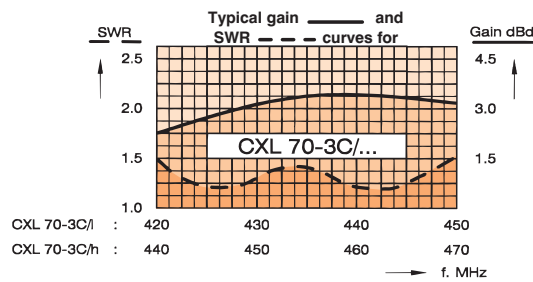
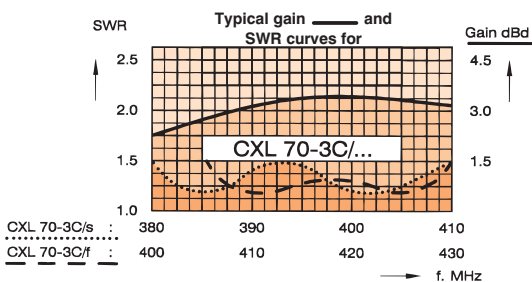
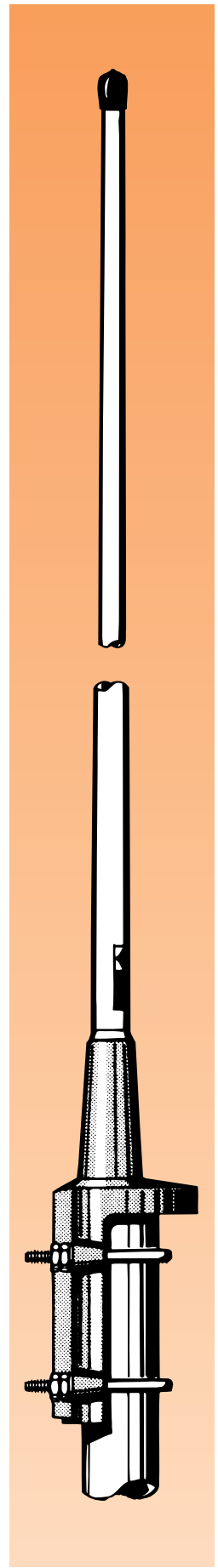
ELECTRICAL	
MODEL	CXL 70-3C/...
ANTENNA TYPE	Colinear, broad-banded
FREQUENCY	30 MHz wide frequency segments within 380–470 MHz. See model survey.
IMPEDANCE	Nom. 50 Ω
RADIATION	Omnidirectional
POLARISATION	Vertical
GAIN	5 dBi 3 dBd
HALF POWER BEAMWIDTH	30°
BANDWIDTH	30 MHz
SWR	≤ 1.5
MAX. POWER	150 watt
ANTISTATIC PROTECTION	All metal parts DC-grounded (Connector shows a DC-short)
MECHANICAL	
TEMP. RANGE	-30° C i +70° C
CONNECTOR	N-female
WIND SURFACE	0.032 m ²
WIND LOAD	35 N (at 150 km/h)
COLOUR	Marine white
MATERIALS	Radome: Polyurethane coated fiberglass Mounting bracket: Seawater resistant aluminium, epoxy-coated
TOTAL HEIGHT	Approx. 1.45 m (dep. on freq.)
WEIGHT	Approx. 2.4 kg
MOUNTING	On 27–65 mm dia. mast tube

ORDERING DESIGNATIONS	
TYPE NO.	FREQUENCY
CXL 70-3C/s	380–410 MHz
CXL 70-3C/f	406–430 MHz
CXL 70-3C/l	420–450 MHz
CXL 70-3C/h	440–470 MHz

MULTI-PURPOSE MOUNTING BRACKET:



- ① Mast tube D_i, min. = 32 mm
Mast tube D_o, max. = 65 mm
- ② Mast tube D_o, max. = 42 mm
Mast tube D_o, min. = 27 mm

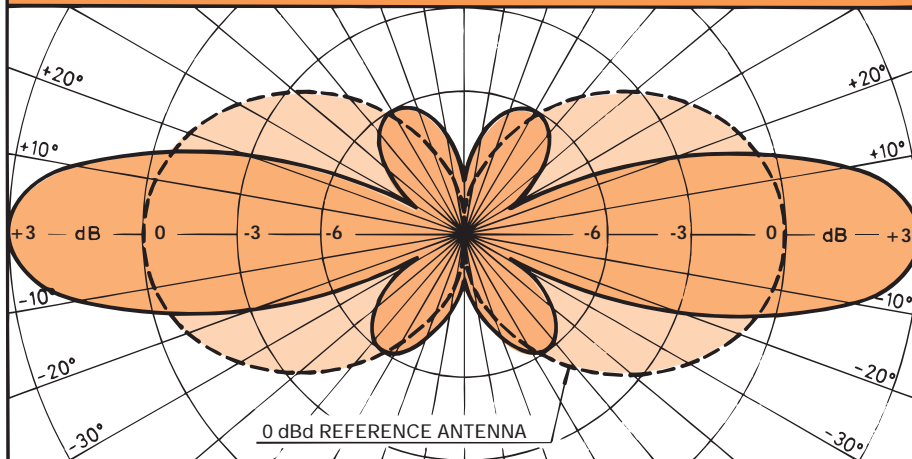


CXL 70-3C/...

Colinear, Heavy-Duty 3 dBd Base Station and Marine Antenna for the 450 MHz Band



TYPICAL RADIATION PATTERN (E-PLANE)



TYPICAL RADIATION PATTERN (H-PLANE)

